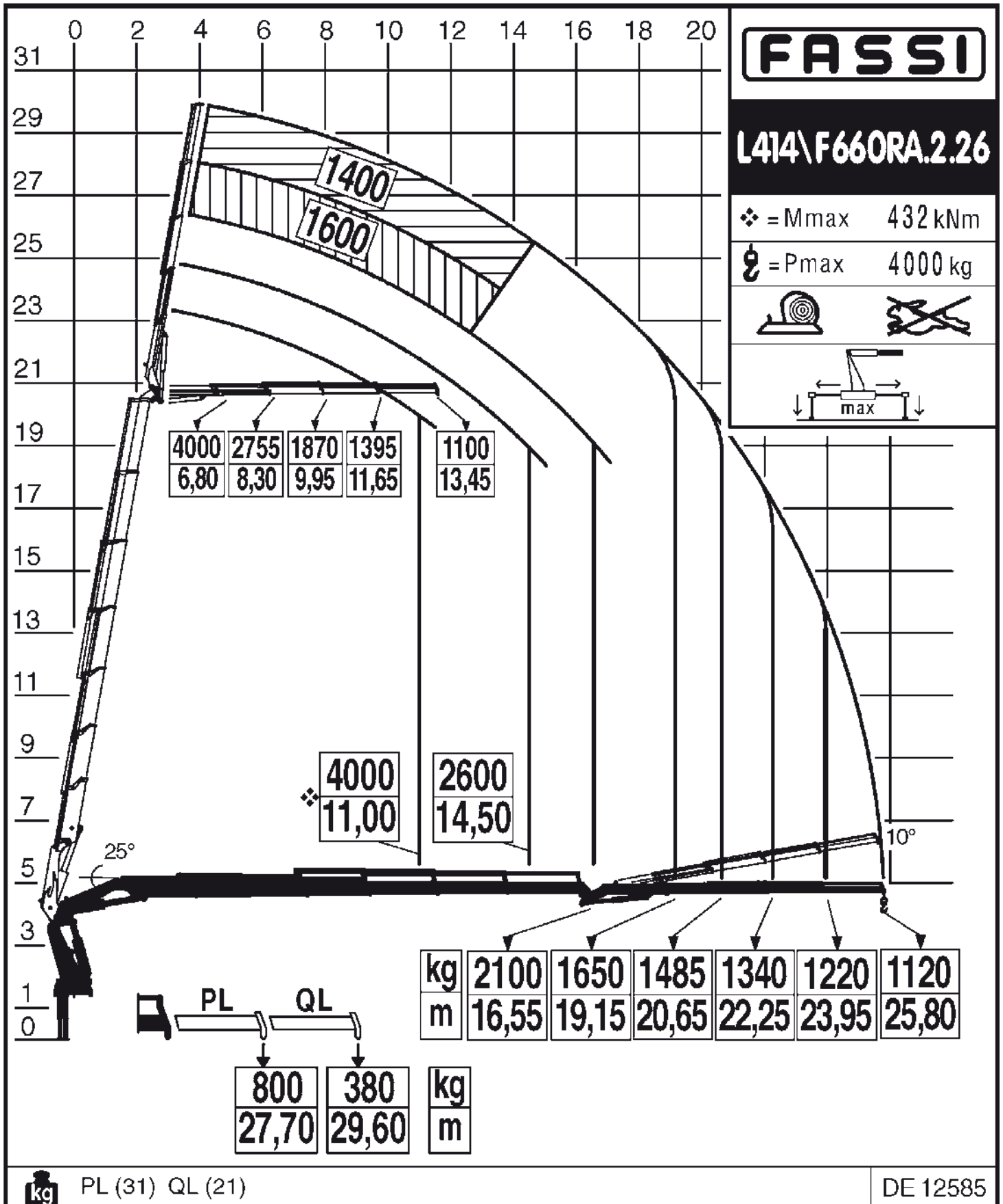


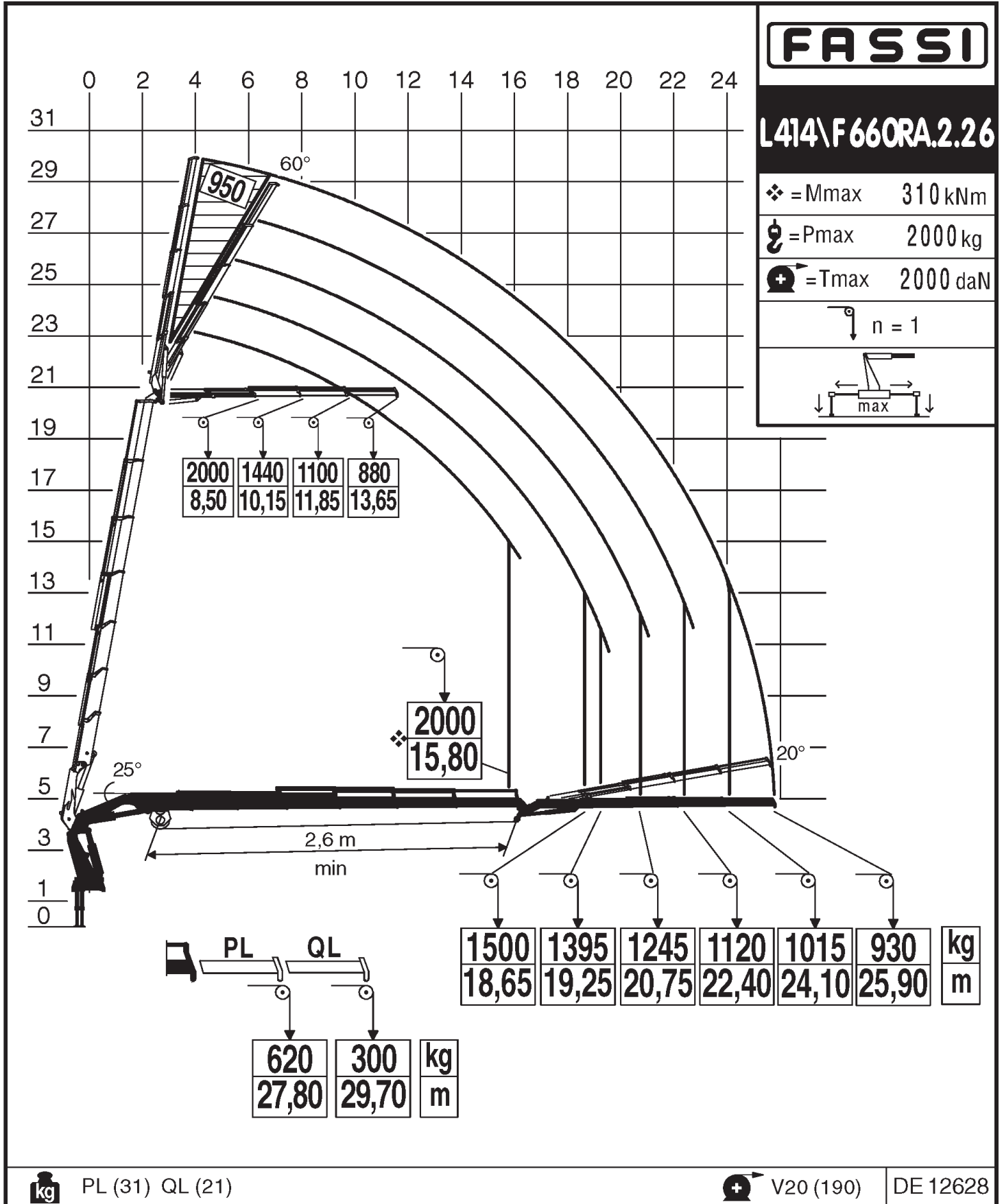
Via Roma, 110
14021 Albino (BG)
Tel.: +39 035 776400
Fax: +39 035 755020
www.fassi.com
fassi@fassi.com

LOAD DIAGRAM HYDRAULIC EXTENSIONS WITH LIFTING MOMENT LIMITING DEVICE



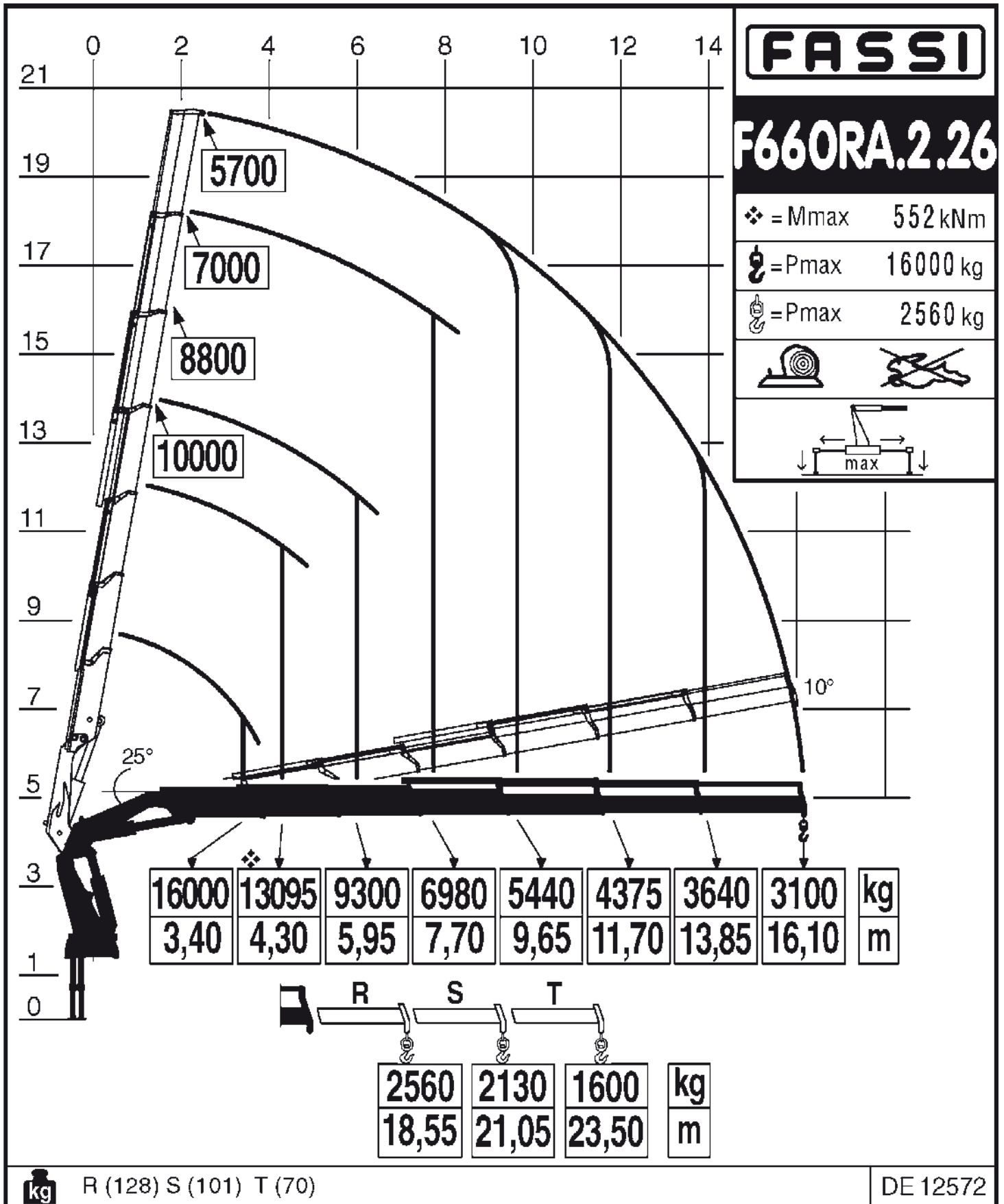
Via Roma, 110
14021 Albino (BG)
Tel.: +39 035 776400
Fax: +39 035 755020
www.fassi.com
fassi@fassi.com

LOAD DIAGRAM HYDRAULIC EXTENSIONS WITH WINCH AND LIFTING MOMENT LIMITING DEVICE



Via Roma, 110
14021 Albino (BG)
Tel.: +39 035 776400
Fax: +39 035 755020
www.fassi.com
fassi@fassi.com

LOAD DIAGRAM WITH LIFTING MOMENT LIMITING DEVICE



FASSI

F660RA.2.26

- ❖ = Mmax 552 kNm
- ⚙ = Pmax 16000 kg
- ⚙ = Pmax 2560 kg

max

Via Roma, 110
14021 Albino (BG)
Tel.: +39 035 776400
Fax: +39 035 755020
www.fassi.com
fassi@fassi.com

LOAD DIAGRAM WITH WINCH AND WITH LIFTING MOMENT LIMITING DEVICE

